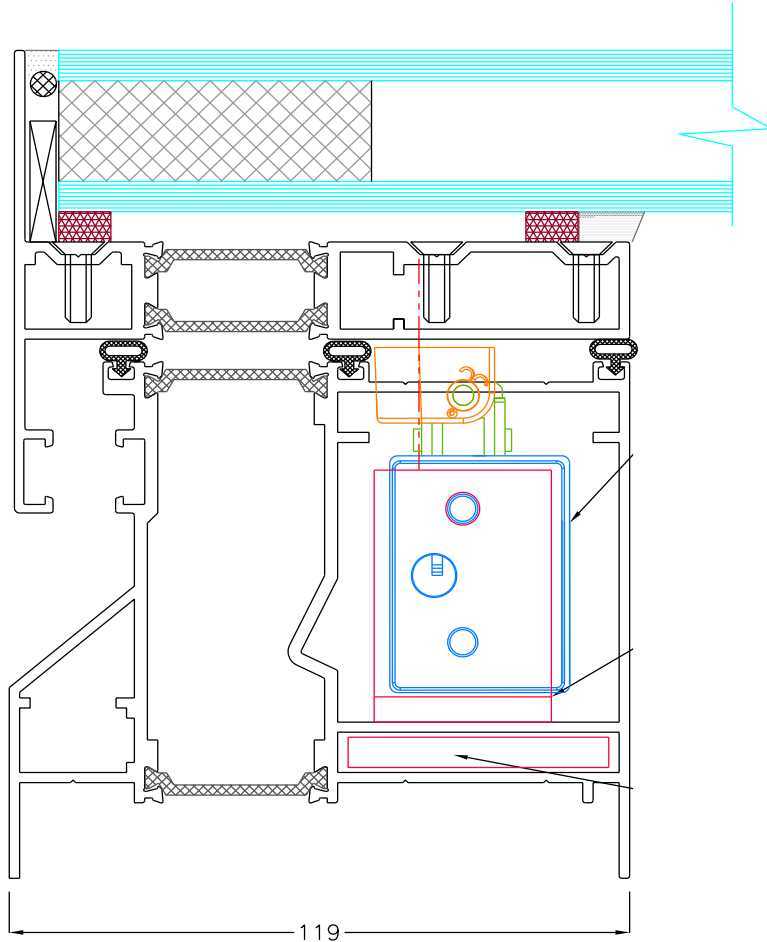
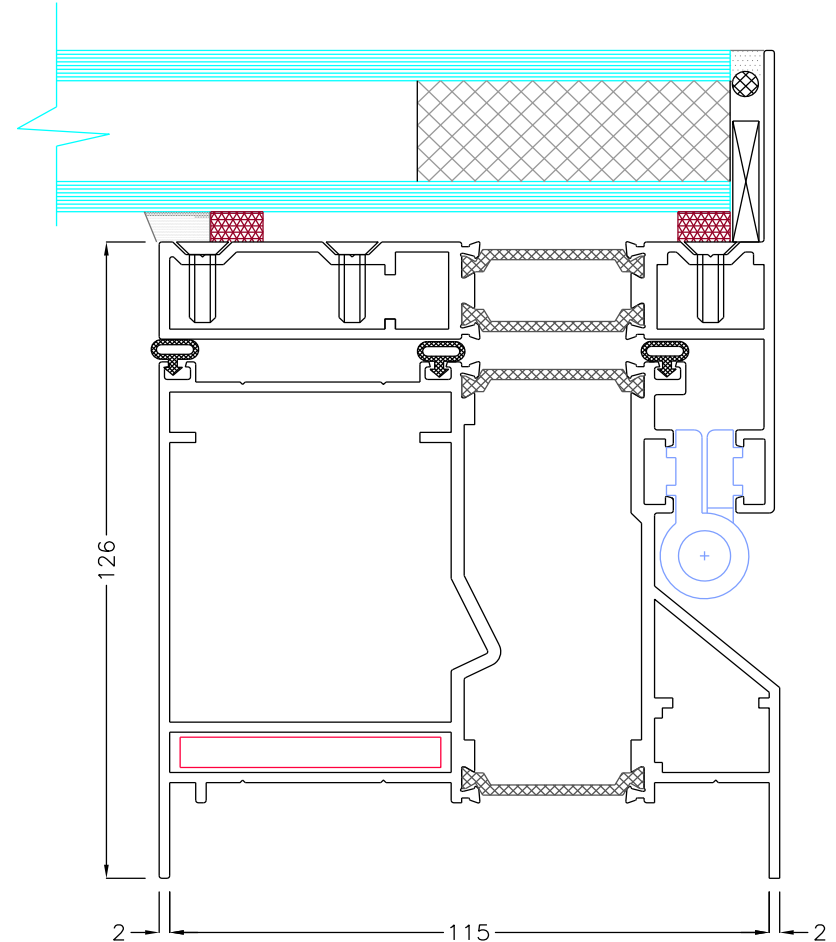


A Section thru Actuator side.
(Closed position)



B Section thru Hinge side.
(Closed position)



Finished upstand minimum width- 95mm
Finished upstand maximum width- 110mm

| | | | | | | |
|-----|-------|-----------------------|----------|----------|---|------------|
| | | | SCALE | DATE | DRAWING TITLE. | PART No |
| | | | 1:1 @ A3 | Nov 2016 | Opening Rooflight Profile arrangement. | |
| | | | CHECKED | MATERIAL | | |
| | | | DRAWN | FINISH | | |
| 1 | Feb17 | All profiles updated. | | | REV | DRAWING No |
| REV | DATE | DETAILS. | | | 1 | RL 021 |